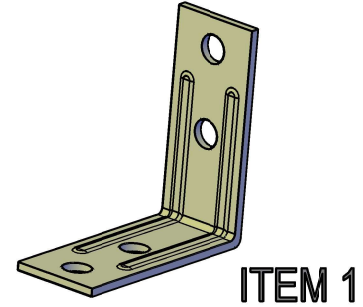
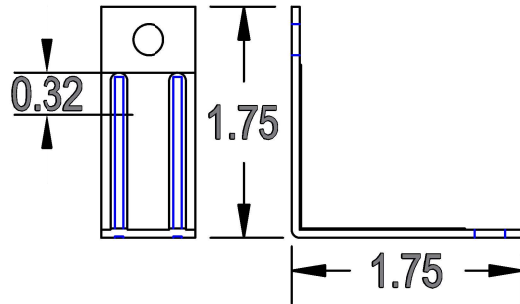
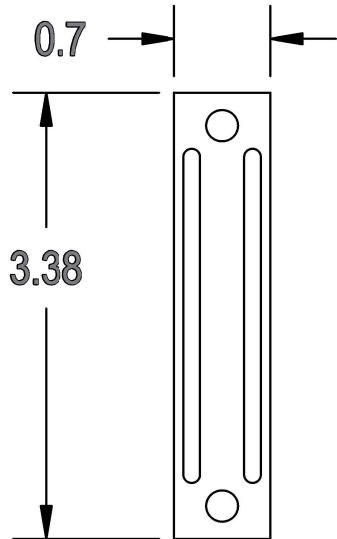


ITEM 1

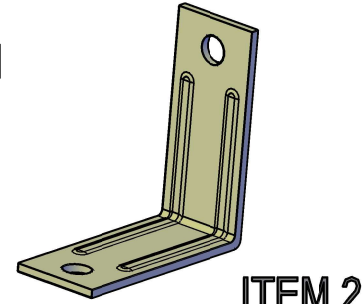
Material 16 ga. Cold Rolled Steel
Grade 40



ITEM 1



ITEM 2



ITEM 2

TOLER. UNLESS SPECIFIED:		CH MACHINE	
ANGLES:	± 0° 30'	P.O. BOX 588	
FRACTIONS:	± 1/64	VERNON, ALABAMA 35592	
2 PLACE DECIMALS:	± .010	TITLE:	
3 PLACE DECIMALS:	± .005	CH04 ITEM 1 & ITEM 2	
REF.:		SIZE:	REV:
DATE:		B	1
DRAWN BY:		SCALE: 1=1	SHEET 1 OF 1
		DRAWN BY:	
		REFERENCE:	